

Test Paper-Class 7th

Perimeter and Area

- The area of a square whose perimeter is 4 m
(a) 2 m^2 (b) 1 m^2
(c) 3 m^2 (d) None of these
- Find the breadth of a rectangular plot of land, if its area is 440 m^2 and the length is 22 m.
(a) 20 m (b) 5 m
(c) 15 m (d) 10 m
- What is the circumference of a circle of diameter 10 cm?
(a) 35 cm (b) 30 cm
(c) 31.4 cm (d) None of these
- If the area of a circle is 2464 m^2 , find its diameter,
(a) 56m (b) 154m
(c) 176m (d) 206m
- Find the perimeter of a triangle with sides 4 cm, 6 cm and 10 cm
(a) 20 cm (b) 24 cm
(c) 9 cm (d) 18 cm
- If we cut a square along one of its diagonals, two triangles are obtained. Area of each triangle obtained = _____.
(a) $(1/2) \times \text{Area of the square}$
(b) $(1/4) \times \text{Area of the square}$
(c) Area of the square
(d) None of these
- The area of parallelogram is
(a) height \times height
(b) base \times height
(c) base + height
(d) base \times base
- Find the area of a triangle with a base of 20 cm and a height of 30 cm
(a) 300 (b) 100
(c) 400 (d) 600
- When the circumference and area of a circle are numerically equal, what is the diameter numerically equal to?

- (a) Area
- (b) Circumference
- (c) 271
- (d) 4

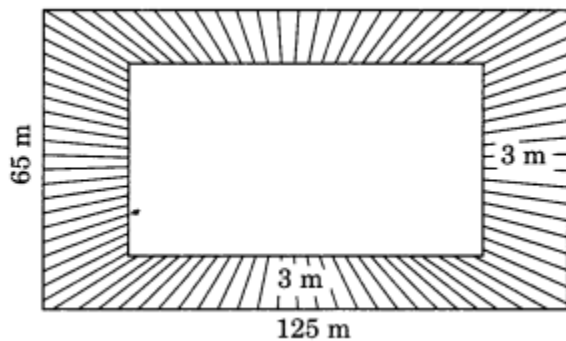
10. The base in the area of parallelogram is

- (a) area / height
- (b) area \times base
- (c) area / base
- (d) area \times height

11. A rectangular garden is 65 cm long and 50 cm wide. Two cross paths each 2 m wide are to be constructed parallel to the sides. If these paths pass through the centre of the garden, find the cost of constructing the paths at the rate Rs. 69 per m^2 .

12. The length and the breadth of a rectangular piece of land are 400 m and 250 m respectively. What is the cost of the land at Rs. 1000 per square metre?

13 A 3 m wide path runs outside and around a rectangular park of length 125 m and breadth 65 m. Find the area of the path.



14. A wire bent in the form of a circle of radius 42 cm is again bent in the form of a square.

What is the ratio of the regions enclosed by the circle and the square?

15. The length and breadth of a rectangular hall in a model are 0.4 m and 30 cm respectively.

What is the distance between the opposite corners of the wall in the model?

16. A door of length 2 m and breadth 1 m is fitted in a wall. The length of the wall is 4.5 m and the breadth is 3.6 m. Find the cost of white washing the wall, if the rate of white washing the wall is ₹ 20 per m^2 .

17. The perimeter of a rectangle is 130 cm. If the breadth of the rectangle is 30 cm, find its length. Also find the area of the rectangle.

18. Find the area of a square park whose perimeter is 320 m.

19. If the circumference of a circular sheet is 154 m, find its radius. Also find the area of the sheet. (Take $\pi = 22/7$)

20. A gardener wants to fence a circular garden of diameter 21 m. Find the length of the rope he needs to purchase, if he makes 2 rounds offence. Also find the cost of the rope, if it costs ₹ 4 per metre. (Take $\pi = 22/7$)

21. In the following figures, find the area of the shaded portion.

